



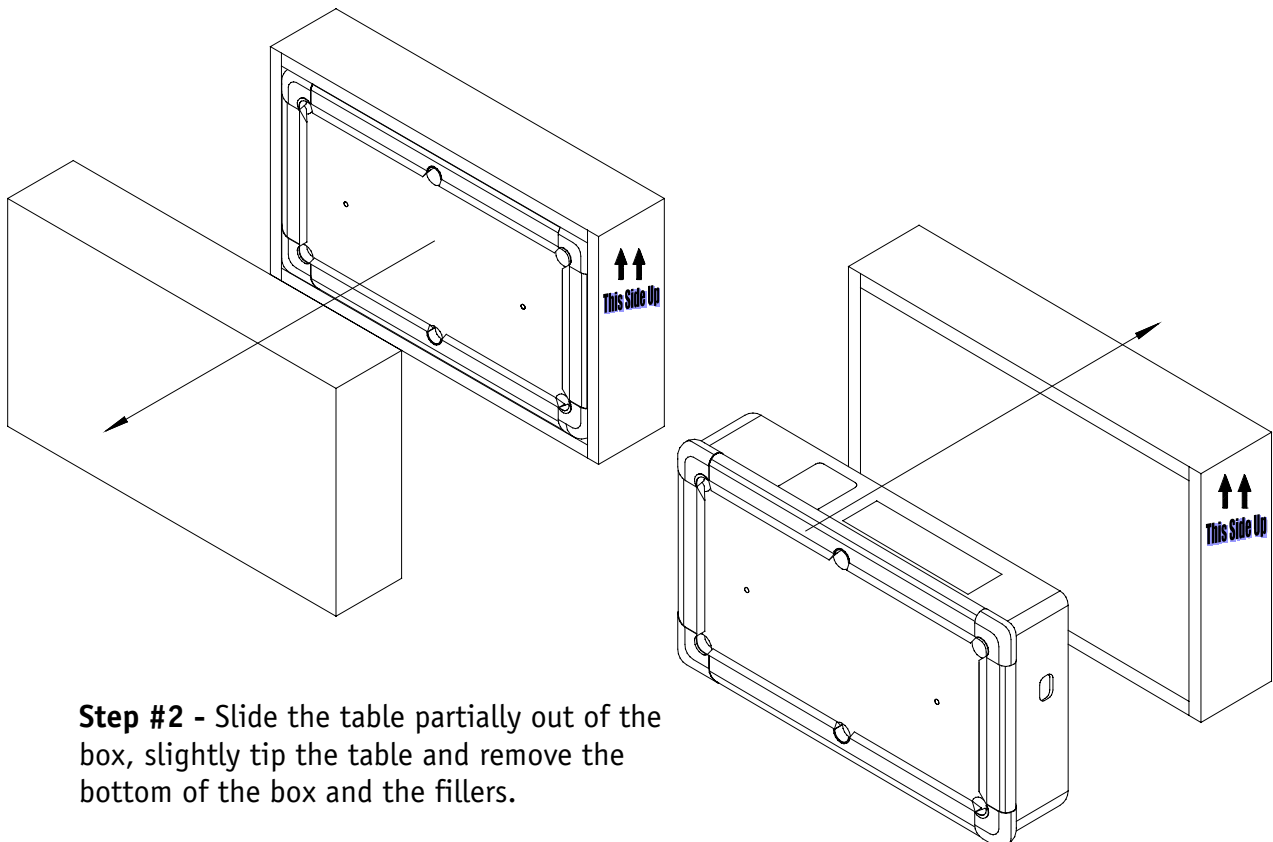
Assembly Instructions

Thank you for purchasing a Shelti product. All of us at Shelti want you to be completely satisfied with your Home Pool Table, so feel free to contact us for help with the assembly of your product, Shelti parts, or other information you may require.

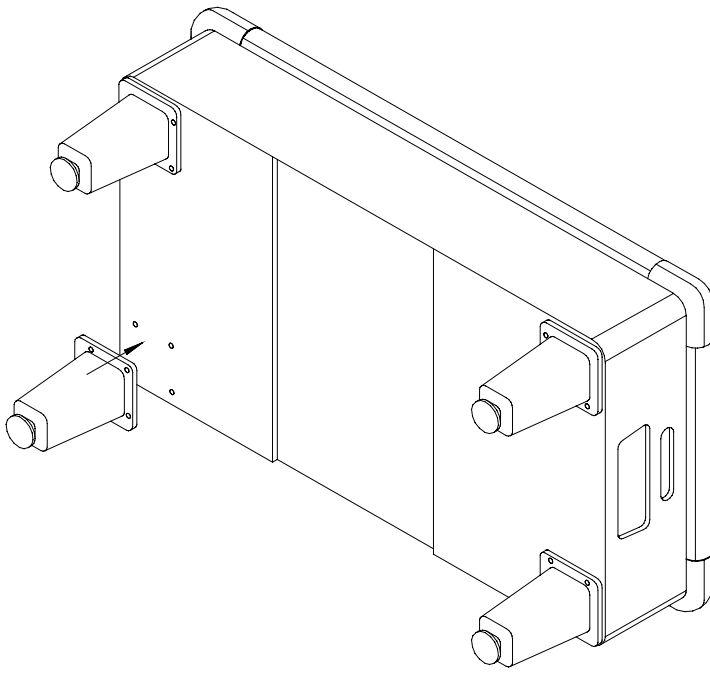
Tools Required:

- 1/2" Wrench
- Level

<u>Description</u>	<u>Part Number</u>	<u>Quantity</u>
Shelti Pool Table Leg Box	LBA-0-HM	1
Pool Table Leg Assembly	PX-LAA-0	4
Pool Table Leg	201-0053-0	4
Square Base T-Nut 1 3/8"x1 3/8"	305-0010-0	4
#8 x 1 1/4" Pan Phil Tap Screw	304-0002-0	4
Leg Leveler - Brushed Aluminum	204-0035-0	4
Leg Bolts - 5/16-18x1 1/2"	301-0020-0	12
Pool Table Warranty Card	210-0063-0	1
Home Pool Table Assembly Instructions	210-0106-0	1

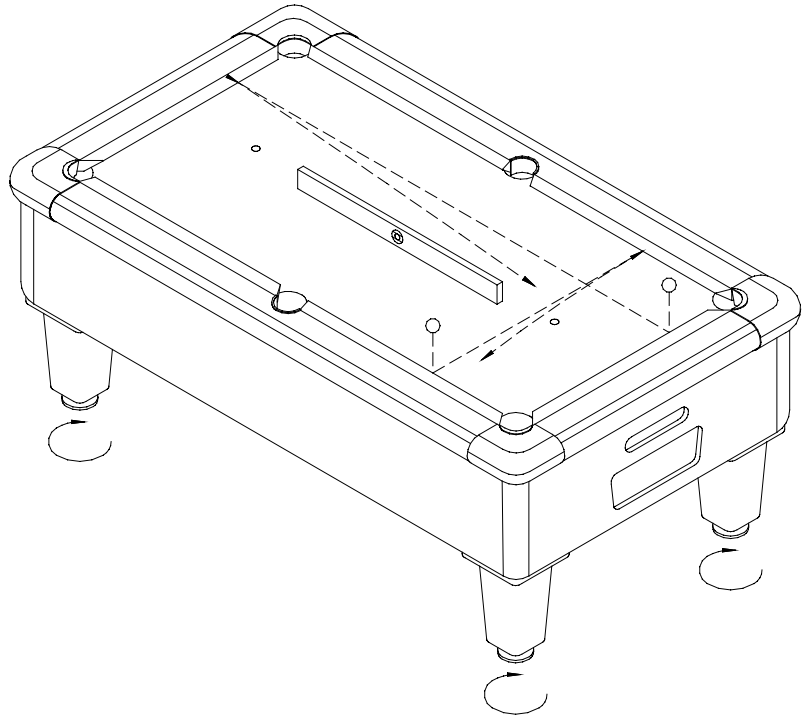


Step #2 - Slide the table partially out of the box, slightly tip the table and remove the bottom of the box and the fillers.



Step #3 - Attach the legs to the bottom of the pool table using three 5/16" - 18 leg bolts (1/2" wrench) per leg. Make sure that the leg levelers are screwed all of the way into the leg and slowly rotate the table over onto its four legs.

Step #4 - Rough level the pool table by placing a level across, lengthwise, and diagonally into the four corners and raise or lower the appropriate leg leveler. Final level the pool table by dropping a ball onto the nose of the cushion rail and watch the drift of the ball as it comes to a stop. Raise or lower the appropriate leg leveler until the ball rolls true.



Step #5 - Complete the warranty card and return the self-mailing Registration Form to Shelti in the event of upgrades and/or product recalls.



333 Horton Street
Bay City, Michigan 48706
Phone: 889-893-1739
Fax: 889-893-1809
www.shelti.com
info@shelti.com



Disassembly Instructions

Tools Required:

Sockets - 1/4", 3/8", 7/16", and 9/16"

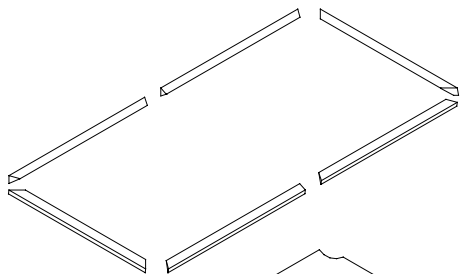
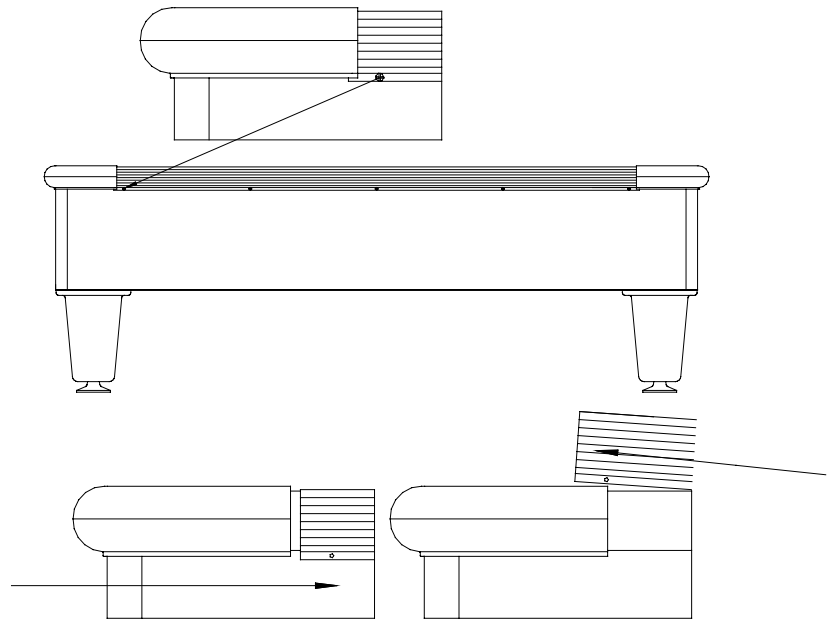
Phillips Screwdriver

Regular Screwdriver

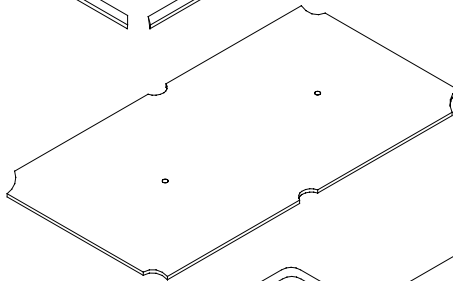
Step #1 - Remove the top rail molding screws (Phillips).

Step #2 - Slide the molding all of the way in one direction.

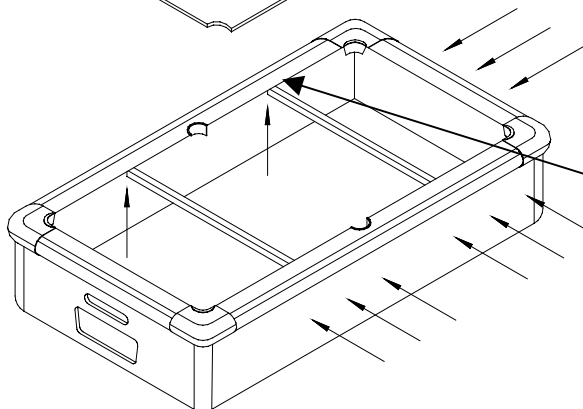
Step #3 - Lift the molding on one end and slide it in the opposite direction to remove.



Step #4 - Remove the eighteen cushion rail bolts (3/8" socket) and cushion rails.



Step #5 - Remove the slate.



Step #6 - Remove the four lag bolts (9/16" socket) and unistrut slate supports.

IMPORTANT

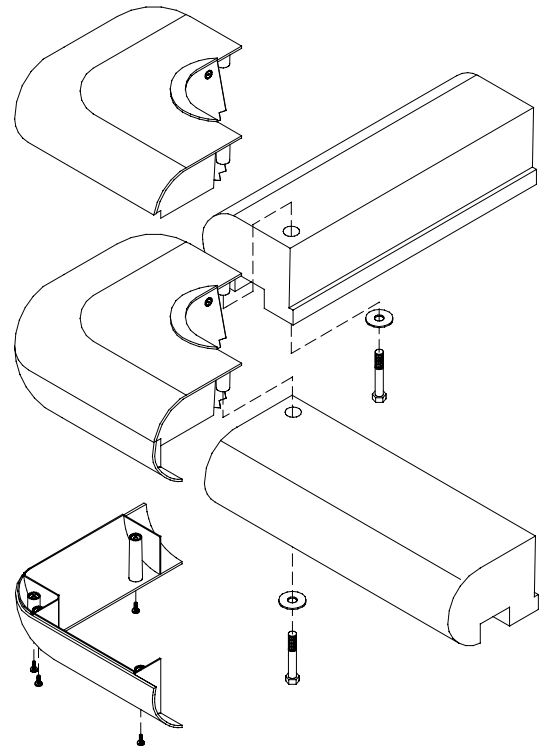
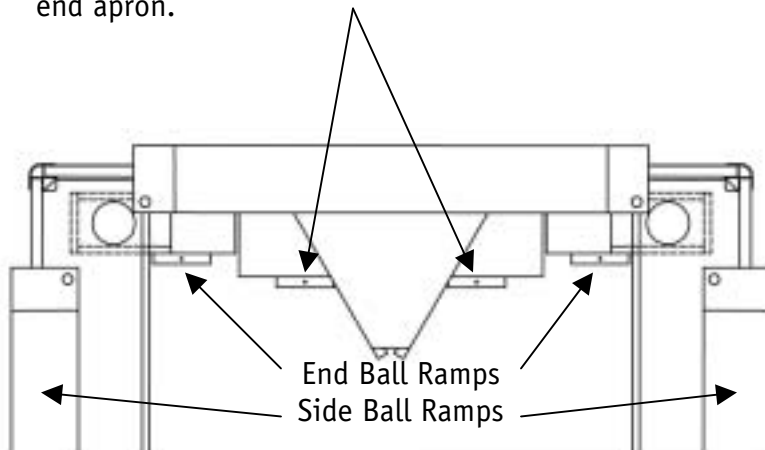
When taking apart:

- *Do not remove the top rails from the aprons.
- *Leave the side ball ramps attached to the side aprons.
- *The ball box stays attached to the end apron.
- *The end ball ramps stay attached to the bottom.

Step #7 - Remove the four Shelti die cast corners. The bottom of the die cast corner must be removed to take the die cast corner off the pool table. Remove the four 8/32" self-tapping screws (Phillips) in each of the die cast corners.

Step #8 - Remove the two 3/8" - 16 x 2-1/2" hex head bolts (9/16" socket) and washers to remove the die cast corner from the top frame assembly.

Step #9 - Remove the two 1-1/4" screws (Phillips) from the ball box that are screwed into the bottom. Leaving the ball box attached to the end apron.



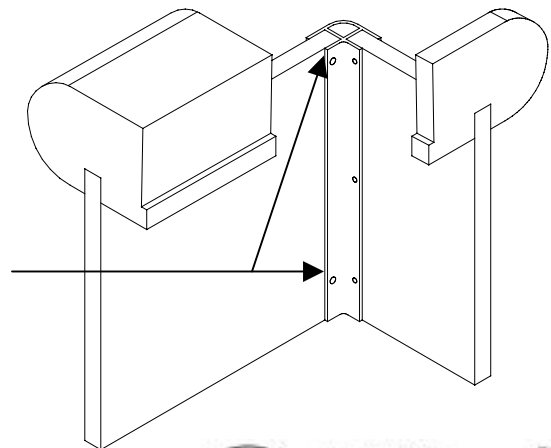
Step #10 - Flip pool table upside down.

Step #11 - Remove the thirteen 1/4" - 20 x 1-1/2" bolts (7/16" socket) and washers from the bottoms.

Step #12 - Remove the bottoms. To remove the open end apron bottom, first slide it toward the center of the pool table, then lift it out, with the end ball ramps attached.

Step #13 - Remove the two 10/32" x 5/8" slotted hex head washer screws (1/4" socket) from the side aprons in all four corners.

Step #14 - Each apron with its components still attached can be moved individually. Then reassemble in reverse order.



333 Horton Street
Bay City, Michigan 48706
Phone: 989-893-1730
Fax: 989-893-1809
www.shelti.com
info@shelti.com

