



Assembly Instructions

Thank you for purchasing a Shelti product. All of us at Shelti want you to be completely satisfied with your Blue Line Air Powered Hockey game, so feel free to contact us for help with the assembly of your product, Shelti parts, or other information you may require.

Tools Required:

- 4mm Hex Wrench (For disassembly only)
- 5mm Hex Wrench
- 12mm Wrench or Socket
- 14mm Wrench or Socket (For disassembly only)
- Phillips Head Screw Driver
- Level

Step #1

- Lift air hockey table out of the box and flip it upside down on a smooth surface.
- Remove the legs from the shipping board and locate the accessory package.

Contents

Defenseman Air Hockey Cabinet
 Blower Motor Assembly
 Left Leg Assembly
 Right Leg Assembly
 Center Leg Assembly
 Accessory Package
 Defenseman Assembly Instructions

Part Number

MS-AHC-0
 MS-BMA-0
 MS-LLA-1
 MS-RLA-1
 MS-CLA-1
 MS-ASA-0
 210-0189-0

Quantity

1
 1
 2
 2
 2
 1
 1

Accessory Package Contents

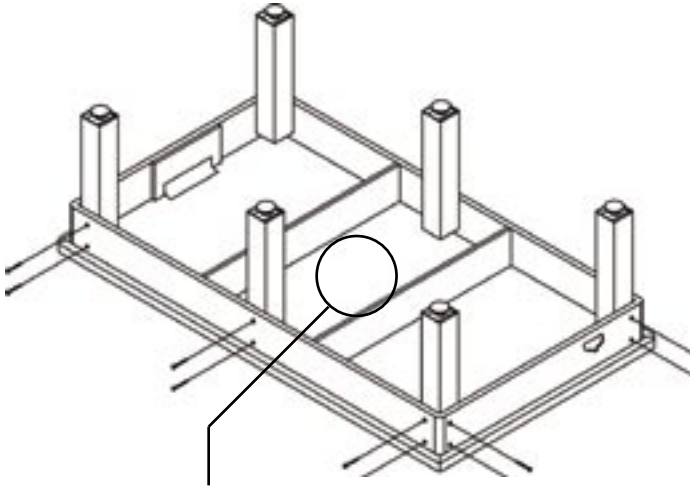
Score Post
 Score Rod
 Red Score Bead
 Black Score Bead
 Score Post Screw—Flat Phillips Head
 4³/₄" Carriage Leg Bolt
 5¹/₂" Carriage Leg Bolt
 Leg Nut
 Leg Washer
 3¹/₄" Puck
 Mallet
 4mm Hex Wrench
 5mm Hex Wrench

003-0004-0
 205-0007-0
 003-0002-0
 003-0003-0
 301-0036-0
 301-0073-0
 301-0074-0
 203-0023-0
 303-0035-0
 201-0093-0
 201-0094-0
 205-0057-0
 205-0068-0

4
 2
 5
 5
 4
 12
 8
 20
 20
 3
 2
 1
 1

Step #2—Attach the Legs

Install the right and left legs on the ends using four carriage bolts per leg. Fasten the leg bolts using a washer and nut. Install the center legs using two carriage bolts per leg. Tighten using a 5mm hex wrench until bolt heads are snug with the table surface. Over tightening could damage the side walls.

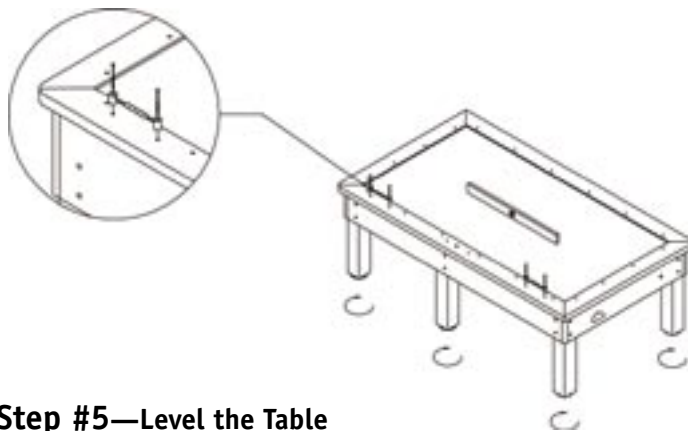


Step #3—Attach the Blower Motor

Locate the blower motor, gasket and (3) mounting bolts. Place the gasket in between the blower and the table surface. Line up the holes of the blower with the pre-drilled holes and tighten. The plug from the blower motor should be plugged into the power strip mounted on the underside of the table.

Step #4—Attach the Manual Scoring Units

Carefully flip the table over. Install the two scoring units using the phillips head bolts, score posts, score rods, and score beads. These scoring units should be assembled and installed in the pre-drilled holes located on the top rail.

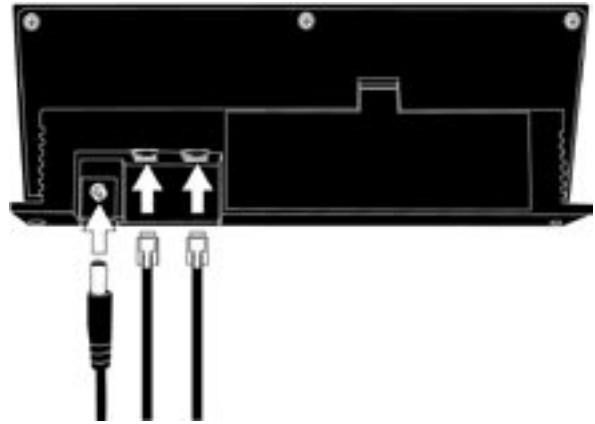


Step #5—Level the Table

Level the air hockey game by placing a level across, lengthwise, and diagonally into the four corners and raise or lower the appropriate leg leveler. After corners are level, lower the center leg levelers flush to the floor.

Step #6—Plug in Power Strip

The plug from the power strip should then be plugged into a standard 110/120 volt wall socket. Turn power on and off using the power switch located on the end of the table.



Step #7—Attach the Electronic Scoring Unit

Remove the three plastic caps located on the side of the table. Thread the two wires from the infrared sensors through the bigger hole. The AC adapter should plug in to the power strip attached to the bottom of the table. Thread the smaller end through the same hole as the other wires. Plug all three wires into the scoring unit as shown. If scored goals credit the wrong team, simply switch the two identical wires as they were plugged into the wrong position.

Line up the holes of the scoring unit with the smaller holes on the side rail. Fasten with a bolt in each hole with a Philips head screw driver.



Step #8—Operating the Scoring Unit

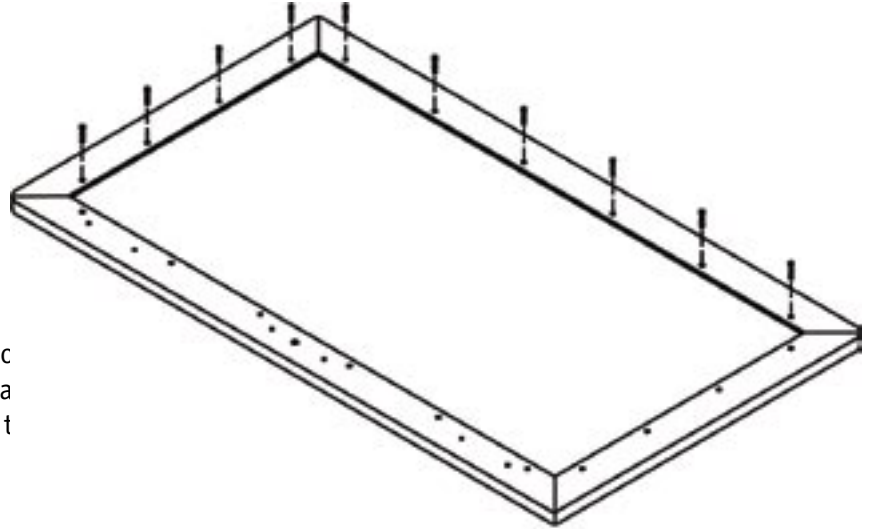
Turn the power switch to "on". Select desired game option. By default, it begins with the 15 minute game option. To change the game option, push the "select" button. There are seven total options including "Free play" which has no time limit or scoring limit. After choosing a game option, push the "Start" button to begin. To start over, press the "Reset / Start" button again. The volume switch has three settings: High, Low and Off.

Blue Line Hockey Disassembly Instructions

Two people are needed to disassemble the hockey table.

Step #1

Flip the table on it's side with the on/off switch facing upwards.

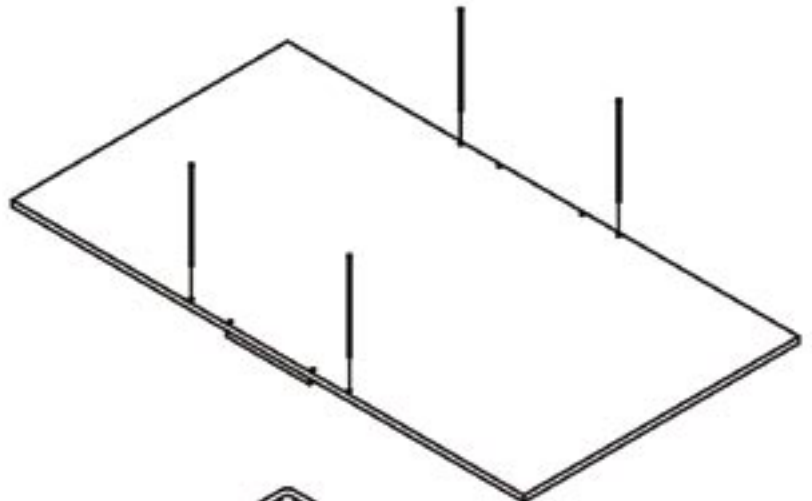


Step #2

Remove the twenty bolts from the top frame. There is a nut and a washer underneath each bolt. Use a crescent wrench to hold the nut underneath the top frame while unscrewing the bolts from the top with a 5 mm Allen wrench (provided).

Step #3

Remove the top frame from the cabinet. Taking apart the top frame is NOT recommended.

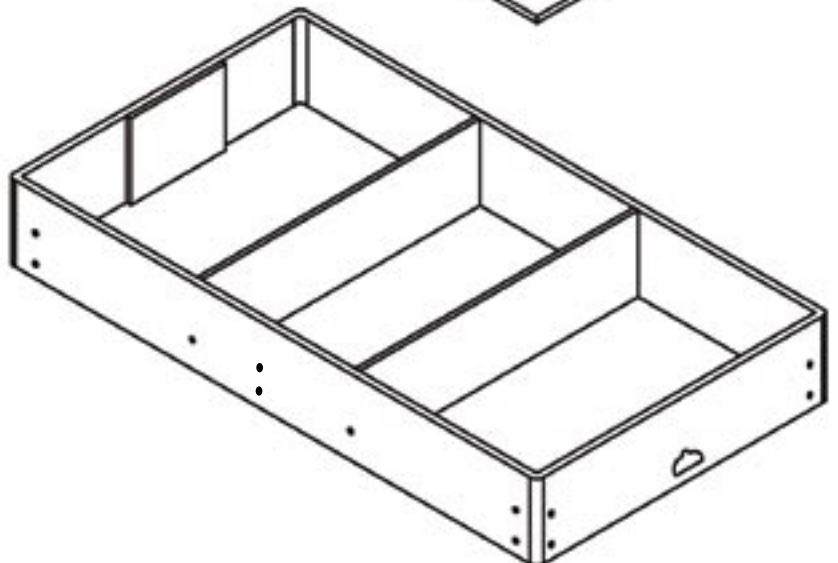


Step #4

Remove the four outer bolts from the playfield. They are the long, black topped bolts. To do so, use a 14 mm (0-9/16") socket wrench to hold the nut located on the bottom side of the center support beams under the table and a crescent wrench to unscrew the bolt top.

Step #5

Remove the playfield with the blower motor attached. Disassembling the blower motor from the playfield is NOT necessary.

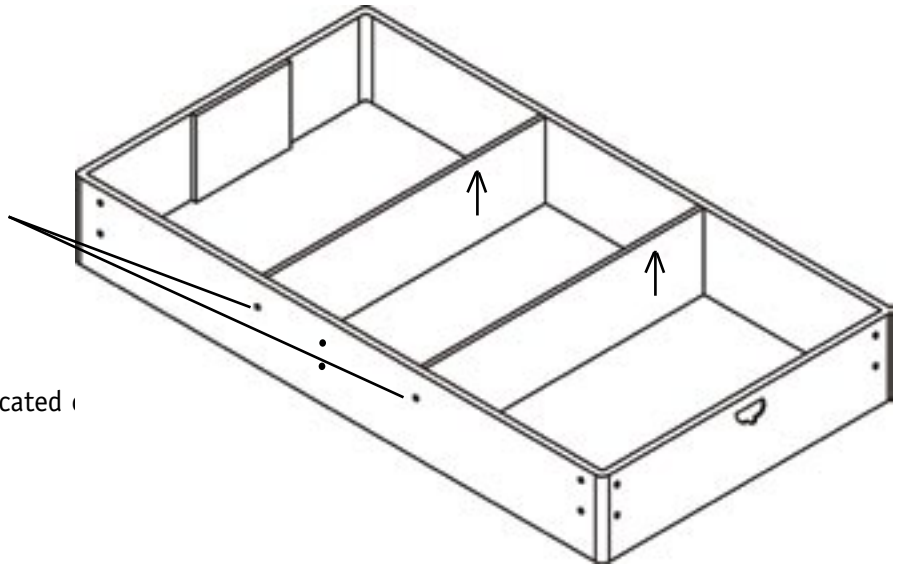


Step #6

Lay the table flat on a smooth surface with the bottom facing upwards.

Step #7

Remove the two long center support beam bolts with a 5 mm Allen wrench (provided).



Step #8

Slide the white adaptor out of the zip ties, located inside of the center support brace.

Step #9

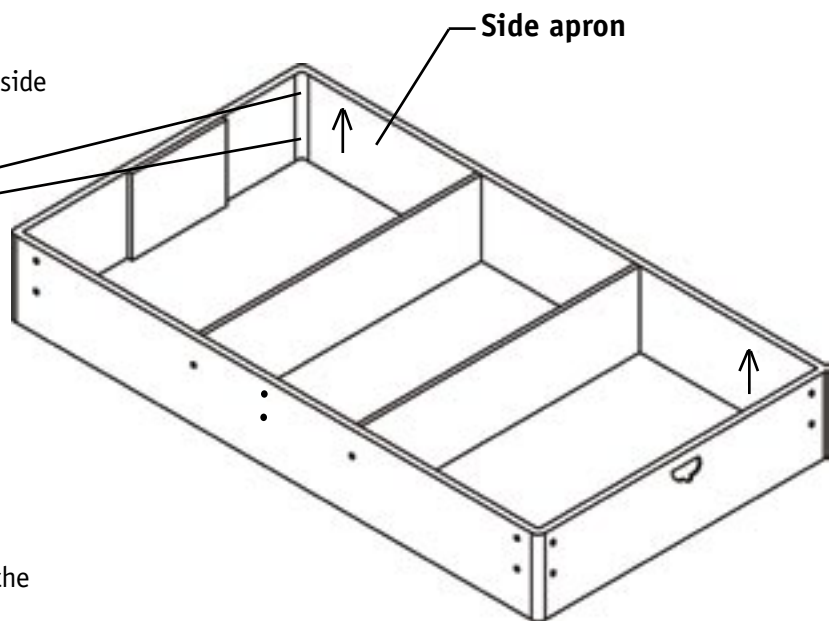
Carefully pull out the two center support beams out of the cabinet.

Step #10

The chords that are running from the goals to the side apron need to be detached from the side apron.

Step #11

Remove the eight screws from the inside of the side aprons with a Phillips screw driver (2 screws per corner).



Step #12

Slowly slide each end of the side apron up, out of the grooved corner molding at the same time.

Relocate all of the parts and put back together in reverse order. When placing the playfield back into the cabinet, be sure to place the white plastic curved puck guide inside the goal opening.



333 Morton Street
Bay City, Michigan 48706
Phone: 989-893-1739
Fax: 989-893-1809
www.shelti.com
info@shelti.com

