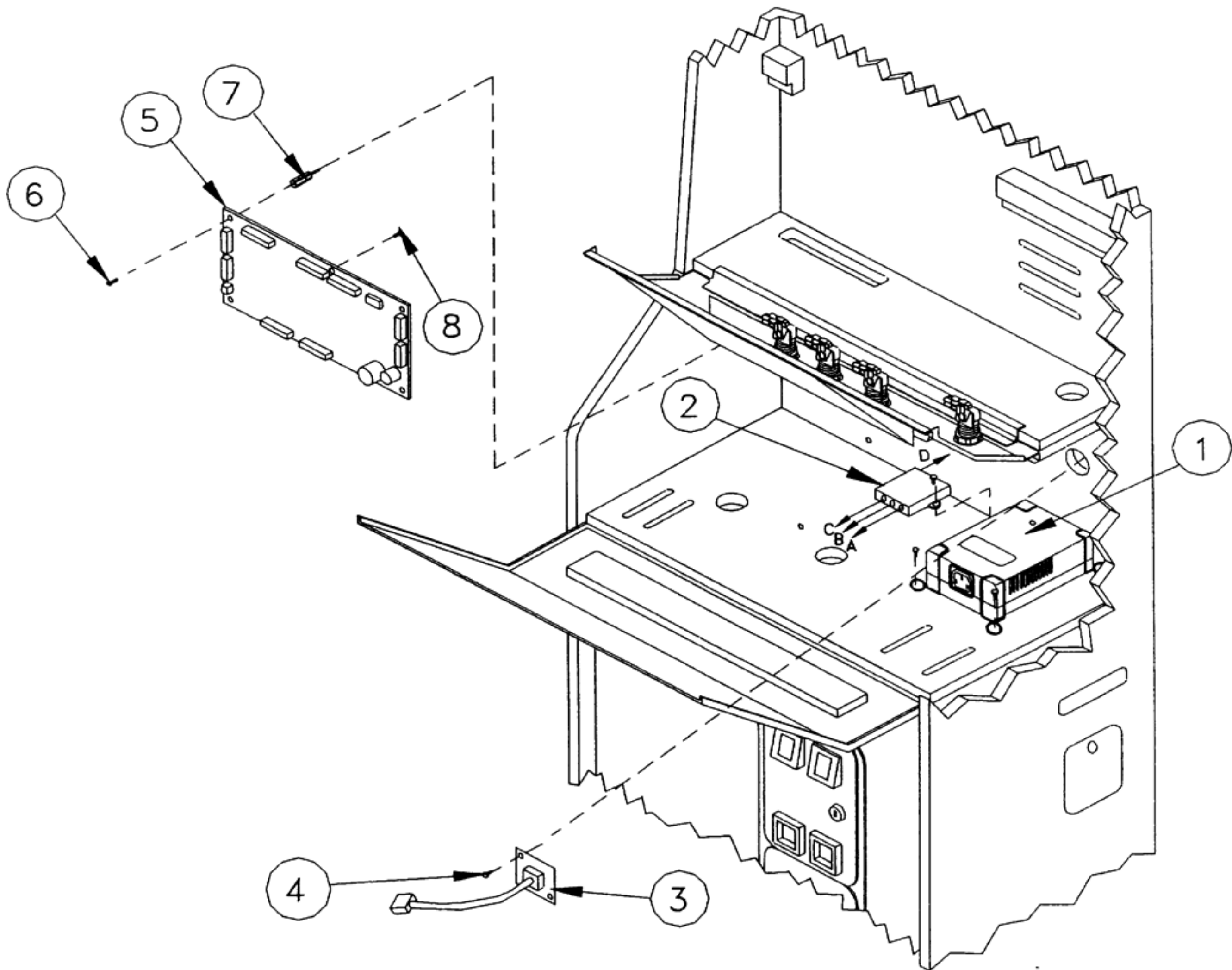


## LOWER ELECTRONICS ASSEMBLY

Item No.	Part No.	Description
1	AGM-0-02-01	Tool Door with Lock
	H24	Power Supply
	201-1046	8-32 x 1/2 Machine Screw
2	242-0152	Power Distribution Cable
	201-0056	8-32 x 5/8 Machine Screw
3	GG4	Sleep Switch Assy
4	201-1052	8-32 x 3/8 Machine Screw
5	AA3-6	Controller PCB Assy
6	201-1004	8-32 x 1/4 Machine Screw
7	206-1092	8 x 3/8 Standoff, Brass
8	205-0419	3/8 Circuit Board Support
	242-0124	Line Cord



### Power Distribution Cable

- A – to Power Supply
- B – to Input Power Cord
- C – to Ground Pt
- D – To Lamp Controller Board in Lighthood